

www.ipi-global.com



Industrial
Packaging
Innovations

economic, safe and easy to use

MAV - Macro Valve



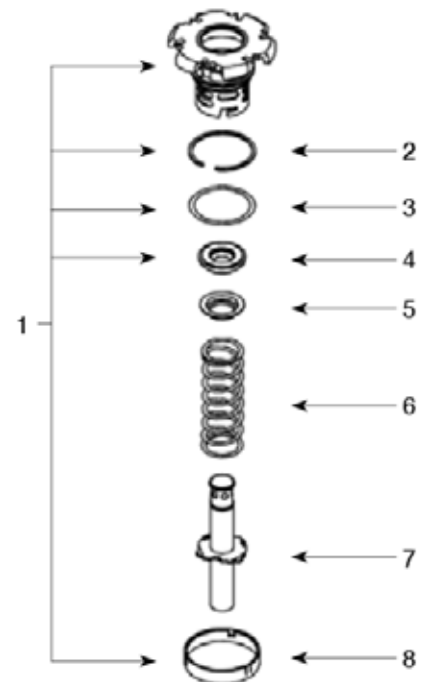
Closed System Catalogue

Macro Valve (MAV) Extractor Valve

MAV EXTRACTOR VALVE		
Part No.	Description	
723-014	4F, Viton	
723-018	3F, Viton	
723-007	3A, Viton	
723-028	4F, FKM HiPer	
723-085	4F, Simriz	
MAV FLEX		
723-070	3F Viton, MAVFLEX	
723-073	3F EPDM, MAVFLEX	
743-203	Flex Tube Ass'y	
MAV XL		
723-034	4F Viton MAV XL	
723-036	4F FKM HiPer MAV XL	
<i>A drawing of the container is required with each order</i>		



SPARE PARTS		
Item	Part No.	
1	2019	Retrofit Body Assembly, 3A Viton
	2020	Retrofit Body Assembly, 3F Viton
	2021	Retrofit Body Assembly, 4F Viton
	2022	Retrofit Body Assembly, 4F FKM HiPer
	2023	Retrofit Body Assembly, 4F Simriz
2	100-621	Retaining Ring
3	102-721	O-Ring, EPDM
	102-870	O-Ring, Viton
	102-415	O-Ring, FKM HiPer
4	102-549	Profile Seal, EPDM
	102-660	Profile Seal, Viton
	102-409	Profile Seal, FKM HiPer
5	704-302	Washer
6	723-106	Spring
7	102-409	Down Tube (specify length)
8	102-960	Tamper Evident Ring



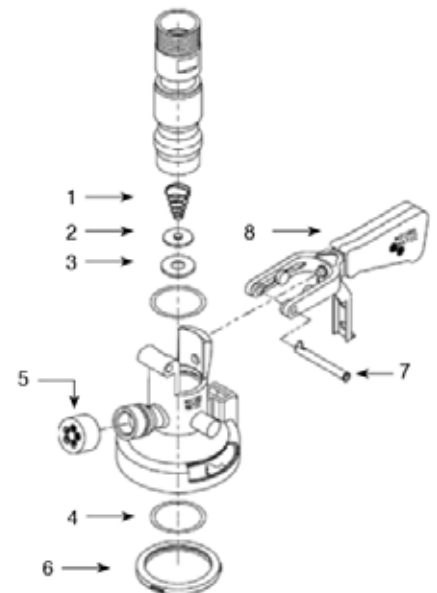
MACRO VALVE (MAV) Coupler

COUPLER (WITHOUT PRESSURE RELIEF VALVE)		
Part No.	Description	
724-009	3A Key, Viton	
724-022	3C Key, Viton	
724-029	4F Key, Viton	
724-049	4A Key, Viton	
748-010	4F Key, Simriz	

NOTE: Coupler includes side entry filter MAV FLEX



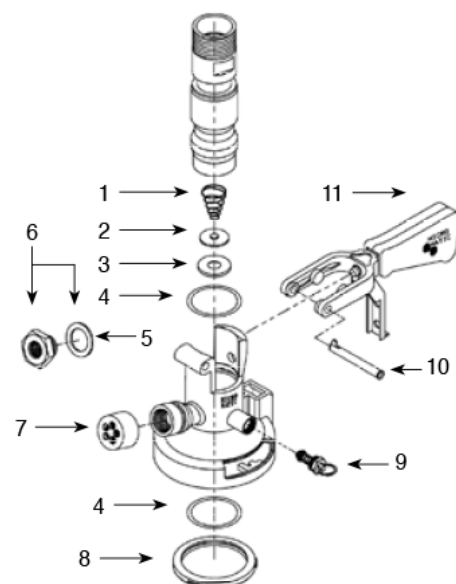
SPARE PARTS			
Item	Part No.	Description	
1	100-615	NRV Spring	
2	724-320	NRV Spring Retainer	
3	102-525	Probe Seal, EPDM	
	102-875	Probe Seal, Viton	
4	102-746	O-Ring, EPDM	
	102-872	O-Ring Viton	
5	724-112	Side Entry Filter	
6	102-553	Main Gasket, EPDM	
	102-874	Main Gasket, Viton	
7	724-102	Handle Hinge Pin	
8	724-127	Ergo Handle Assembly	



COUPLER (WITH INTEGRATED PRESSURE RELIEF VALVE)		
Part No.	Description	
724-067	3F Key, EPDM, 30# PRV	
724-065	3F Key,Viton, 30# PRV	
724-066	3F Key, FKM HiPer, 30# PRV	
724-070	4F Key, EPDM, 30# PRV	
748-068	4F Key,Viton, 30# PRV	
748-085	3F Key,Viton 12# PRV	



SPARE PARTS		
Item	Part No.	Description
1	100-615	NRV Spring
2	724-320	NRV Spring Retainer
3	102-525	Probe Seal, EPDM
	102-875	Probe Seal, Viton
	102-420	Probe Seal, FKM HiPer
4	102-746	O-Ring, EPDM
	724-872	O-Ring Viton
	102-419	O-Ring, FKM HiPer
5	724-848	Washer, Nylon
6	724-106	Thread Adapter Assembly
7	724-112	Side Entry Filter
8	102-553	Main Gasket, EPDM
	102-874	Main Gasket, Viton
	102-421	Main Gasket, FKM HiPer
9	724-131	PRV Assembly, EPDM 30#
	724-133	PRV Assembly, Viton 30#
	724-132	PRV Assembly, FKM HiPer 30#
10	724-102	Handle Hinge Pin
11	724-127	Ergo Handle Assembly



TOOLS & ACCESSORIES		
Item	Part No.	
A	724-026	Fill Head (3F key, Viton, thread adapter)
	724-044	Fill Head (3F key, EPDM, thread adapter)
	724-095	Fill Head (4F key, Viton, thread adapter)
	724-045	Fill Head (4F key, EPDM, thread adapter)
	724-030	Fill Head (3D key, Viton, thread adapter)
B	740-077	Valve Lifting Tool
C	740-078	Valve Releasing Tool
D	740-076	Valve Mounting Tool
Not Known	740-003	Bench Service Tool
	741-043	Installation Verification Tool



RINSING SOCKETS		
Item	Part No.	
A	2MAV1-008	EPDM
A	2MAV1-002	Viton
A	2MAV1-009	FKM HiPer
RINSING SOCKETS		
B	2MAV1-003	Mounting Bracket
Not Known	102-310	Valve Dust Cover
	102-423	Security Pin, Red

