

# Drum Valve System

DRUM VALVE	
Part No.	Description
743-007	Drum Valve 2" BSP 3 pin EPDM
743-008	Drum Valve 2" BSP 3 pin Viton
743-038	Drum Valve 2" BSP 3 pin FKM-HiPer
743-046	Drum Valve 56x4 3 pin EPDM
743-047	Drum Valve 56x4 3 pin Viton
743-048	Drum Valve 56x4 3 pin Aflas
743-126	Drum Valve 70x6 3 pin EPDM
743-125	Drum Valve 70x6 3 pin Viton
743-125	Drum Valve 2.5"x5 3 pin EPDM
743-081	Drum Valve 2.5"x5 3 pin Viton
<i>See note 1</i>	

DV COUPLER - SELF VENTING	
Part No.	Description
744-002	Drum Valve Coupler 3 pin EPDM
744-003	Drum Valve Coupler 3 pin Viton
744-004	Drum Valve Coupler 3 pin Aflas
<i>See note 1</i>	

DV COUPLER - VAPOUR RECOVERY	
Part No.	Description
744-007	Drum Valve Coupler 3 pin EPDM
744-008	Drum Valve Coupler 3 pin Viton
744-009	Drum Valve Coupler 3 pin Aflas
<i>See note 1</i>	

DV COUPLER1800 - FLOW CONTROL	
Part No.	Description
744-078	DV Coupler 1800 3 pin EPDM
744-094	DV Coupler 1800 3 pin Viton
<i>See note 1</i>	



HEAVY DUTY COUPLER	
Part No.	Description
744-082	Heavy Duty Coupler 3 pin Viton
<i>See note 1</i>	

FILL-HEAD - VAPOUR RECOVERY	
Part No.	Description
744-022	Fill-head 3pin EPDM
744-023	Fill-head 3pin Viton
744-024	Fill-head 3pin Aflas
<i>See note 1</i>	

DV RINSE SOCKET	
Part No.	Description
2DV3-001	Rinse socket 3 pin EPDM
<i>See note 1</i>	



Fill-head\*



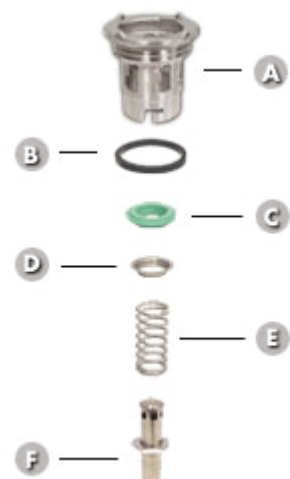
Rinse socket

All items are available in stainless steel 304 and 316\*

**Note 1)** Other seal materials and key codes available on request

## Drum Valve System Spare Parts

- A** Drum Valve extractor housing
- B** Drum Valve Sealing Ring
- C** Drum Valve Profile Seal
- D** Drum Valve Spring Retainer
- E** Drum Valve Spring
- F** Drum Valve Down Tube Assembly Drum





**Drum Valve Sealing Ring**

EPDM: 102-107  
Viton: 102-108  
Aflas: 102-109  
FKM-HiPer: 102-110



**Drum Valve Profile Seal**

EPDM: 102-086  
Viton: 102-085  
Aflas: 102-088  
FKM-HiPer: 102-089



**Drum Valve Plastic Dip-tube**

Outer foot dip-tube:  
743-203/xxx



**Drum Valve Plastic Dip-tube**

Inner foot dip-tube:  
743-224/xxx



**Tamper Evident Cap 3 pin cap:**

102-079 4 pin cap:  
102-081



**Clinch Ring**

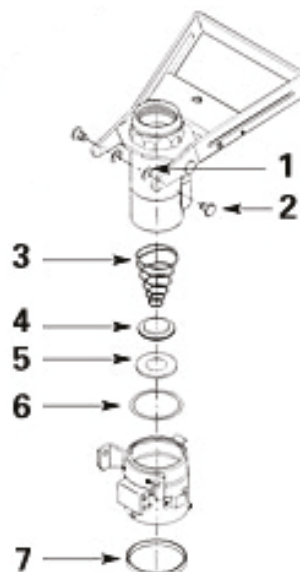
3 pin profile:  
729-860  
3 pin flat profile:  
729-861

Where "xxx" is the length of the tube in mm.

**Also available with stainless steel dip-tube for special applications**

## Drum Valve System Spare Parts

- 1** Retaining Clip for the Drum Valve handle  
Grooved Handle Pin on the Drum Valve Coupler
- 2** Grooved Handle Pin for the Drum Valve Coupler
- 3** Dry Break Spring for the Drum Valve Coupler
- 4** Dry Break Insert for the Drum Valve Coupler
- 5** Drum Valve Coupler Probe Seal
- 6** Drum Valve Coupler Body O-Ring
- 7** Drum Valve Coupler Main Gasket





**Drum Valve Coupler  
Probe Seal \***

EPDM: 102-073  
Viton: 102-074  
Aflas: 102-076



**Drum Valve Coupler  
Body O-Ring \***

EPDM: 102-061  
Viton: 102-062  
Aflas: 102-064



**Drum Valve Coupler  
Main Gasket \***

EPDM: 102-067  
Viton: 102-068  
Aflas: 102-078

**Drum Valve Pressure Test Coupler**

Used to test drum pressure  
Viton: 744-097



\* Other seal materials available on request

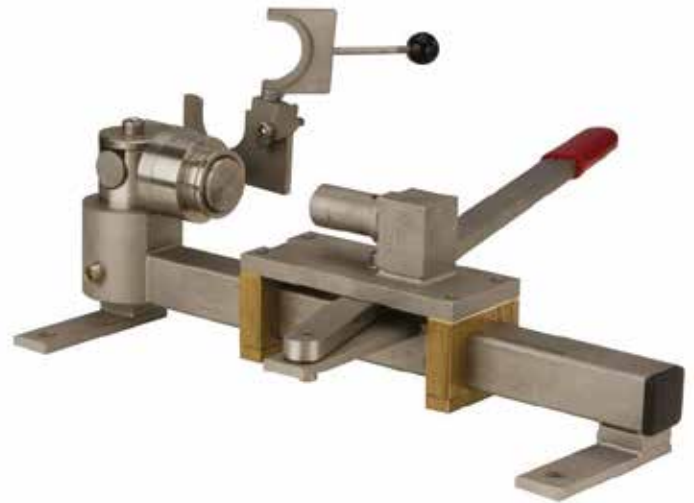
**Drum Valve Installation & Removal Tool  
741-015**

Used to install and remove the Drum Valve from drums and IBCs



**Drum Valve Service Tool  
741-093**

Used to disassemble and reassemble Drum Valve for repair



**Drum Valve Crimping Tool**

Used to install the clinch ring on the Drum Valve



**Drum Valve De-Clinching Tool**

Used to remove the clinch ring from the Drum Valve

