

www.ipi-global.com



Industrial
Packaging
Innovations

economic, safe and easy to use
MAV - Macro Valve



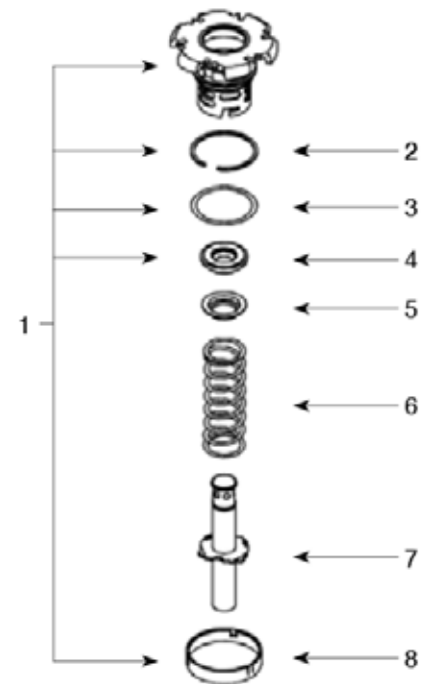
Closed System Catalogue

Macro Valve (MAV) Extractor Valve

| MAV EXTRACTOR VALVE | | |
|---|---------------------|--|
| Part No. | Description | |
| 723-014 | 4F, Viton | |
| 723-018 | 3F, Viton | |
| 723-007 | 3A, Viton | |
| 723-028 | 4F, FKM HiPer | |
| 723-085 | 4F, Simriz | |
| | | |
| MAV XL | | |
| 723-034 | 4F Viton MAV XL | |
| 723-036 | 4F FKM HiPer MAV XL | |
| <i>A drawing of the container is required with each order</i> | | |



| SPARE PARTS | | |
|-------------|----------|--------------------------------------|
| Item | Part No. | |
| 1 | 2019 | Retrofit Body Assembly, 3A Viton |
| | 2020 | Retrofit Body Assembly, 3F Viton |
| | 2021 | Retrofit Body Assembly, 4F Viton |
| | 2022 | Retrofit Body Assembly, 4F FKM HiPer |
| | 2023 | Retrofit Body Assembly, 4F Simriz |
| 2 | 100-621 | Retaining Ring |
| 3 | 102-721 | O-Ring, EPDM |
| | 102-870 | O-Ring, Viton |
| | 102-415 | O-Ring, FKM HiPer |
| 4 | 102-549 | Profile Seal, EPDM |
| | 102-660 | Profile Seal, Viton |
| | 102-409 | Profile Seal, FKM HiPer |
| 5 | 704-302 | Washer |
| 6 | 102-624 | Spring |
| 7 | 723-106 | Down Tube (specify length) |
| 8 | 102-960 | Tamper Evident Ring |



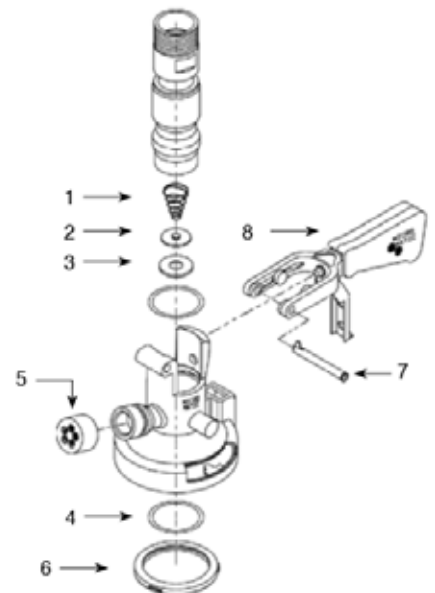
MACRO VALVE (MAV) Coupler

| COUPLER (WITHOUT PRESSURE RELIEF VALVE) | | |
|---|----------------|--|
| Part No. | Description | |
| 724-009 | 3A Key, Viton | |
| 724-022 | 3C Key, Viton | |
| 724-029 | 4F Key, Viton | |
| 724-049 | 4A Key, Viton | |
| 748-010 | 4F Key, Simriz | |

NOTE: Coupler includes side entry filter MAV FLEX



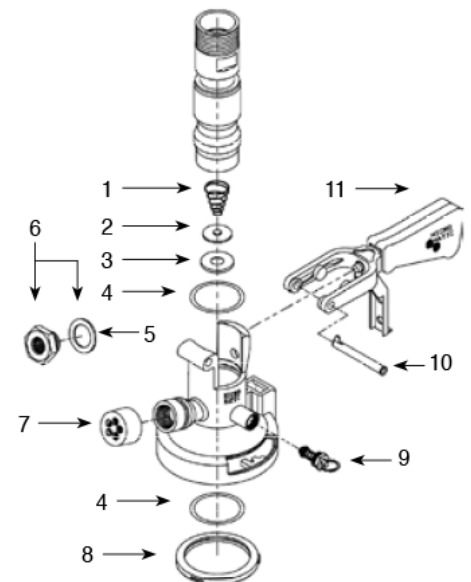
| SPARE PARTS | | | |
|-------------|----------|----------------------|--|
| Item | Part No. | Description | |
| 1 | 100-615 | NRV Spring | |
| 2 | 724-320 | NRV Spring Retainer | |
| 3 | 102-525 | Probe Seal, EPDM | |
| | 102-875 | Probe Seal, Viton | |
| 4 | 102-746 | O-Ring, EPDM | |
| | 102-872 | O-Ring Viton | |
| 5 | 724-112 | Side Entry Filter | |
| 6 | 102-553 | Main Gasket, EPDM | |
| | 102-874 | Main Gasket, Viton | |
| 7 | 724-102 | Handle Hinge Pin | |
| 8 | 724-127 | Ergo Handle Assembly | |



| COUPLER (WITH INTEGRATED PRESSURE RELIEF VALVE) | | |
|---|----------------------------|--|
| Part No. | Description | |
| 724-067 | 3F Key, EPDM, 30# PRV | |
| 724-065 | 3F Key, Viton, 30# PRV | |
| 724-066 | 3F Key, FKM HiPer, 30# PRV | |
| 724-070 | 4F Key, EPDM, 30# PRV | |
| 748-068 | 4F Key, Viton, 30# PRV | |
| 748-085 | 3F Key, Viton 12# PRV | |



| SPARE PARTS | | |
|-------------|----------|-----------------------------|
| Item | Part No. | Description |
| 1 | 100-615 | NRV Spring |
| 2 | 724-320 | NRV Spring Retainer |
| 3 | 102-525 | Probe Seal, EPDM |
| | 102-875 | Probe Seal, Viton |
| | 102-420 | Probe Seal, FKM HiPer |
| 4 | 102-746 | O-Ring, EPDM |
| | 724-872 | O-Ring Viton |
| | 102-419 | O-Ring, FKM HiPer |
| 5 | 724-848 | Washer, Nylon |
| 6 | 724-106 | Thread Adapter Assembly |
| 7 | 724-112 | Side Entry Filter |
| 8 | 102-553 | Main Gasket, EPDM |
| | 102-874 | Main Gasket, Viton |
| | 102-421 | Main Gasket, FKM HiPer |
| 9 | 724-131 | PRV Assembly, EPDM 30# |
| | 724-133 | PRV Assembly, Viton 30# |
| | 724-132 | PRV Assembly, FKM HiPer 30# |
| 10 | 724-102 | Handle Hinge Pin |
| 11 | 724-127 | Ergo Handle Assembly |



| TOOLS & ACCESSORIES | | |
|---------------------|----------|---|
| Item | Part No. | |
| A | 724-026 | Fill Head (3F key, Viton, thread adapter) |
| | 724-044 | Fill Head (3F key, EPDM, thread adapter) |
| | 724-095 | Fill Head (4F key, Viton, thread adapter) |
| | 724-045 | Fill Head (4F key, EPDM, thread adapter) |
| | 724-030 | Fill Head (3D key, Viton, thread adapter) |
| B | 740-077 | Valve Lifting Tool |
| C | 740-078 | Valve Releasing Tool |
| D | 740-076 | Valve Mounting Tool |
| Not Known | 740-003 | Bench Service Tool |
| | 741-043 | Installation Verification Tool |



| RINSING SOCKETS | | |
|-----------------|-----------|-------------------|
| Item | Part No. | |
| A | 2MAV1-008 | EPDM |
| A | 2MAV1-002 | Viton |
| A | 2MAV1-009 | FKM HiPer |
| RINSING SOCKETS | | |
| B | 2MAV1-003 | Mounting Bracket |
| Not Known | 102-310 | Valve Dust Cover |
| | 102-423 | Security Pin, Red |

